



# LEFROY BROOKS

1828 TROUTMAN STREET  
RIDGEWOOD NEW YORK NY 11385 USA  
T: +1(718) 302 5292 F: +1(718) 302 4177

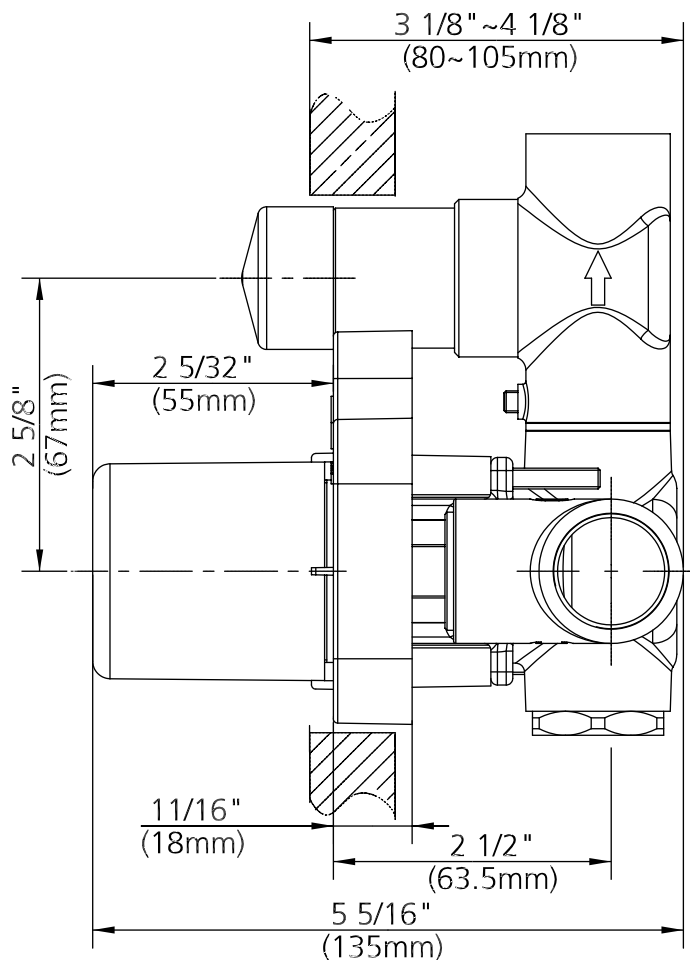
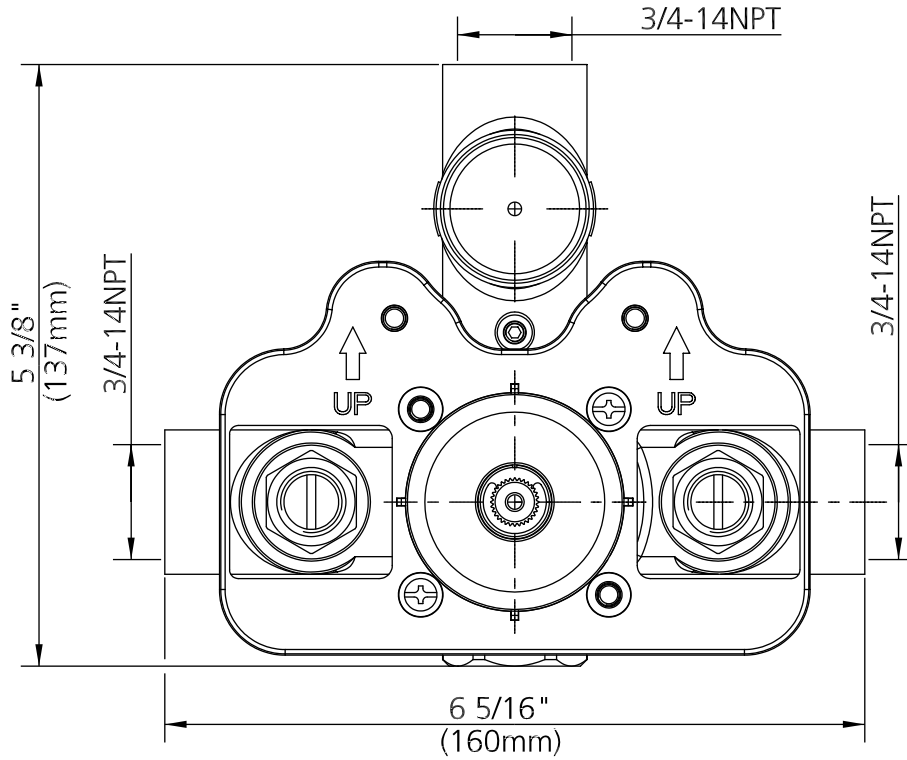
## MI-4201

TWO HANDLE THERMOSTATIC ROUGH (WITH FLOW CONTROL)

### DIMENSIONAL DATA SHEET

DATE 26 JUNE 2008

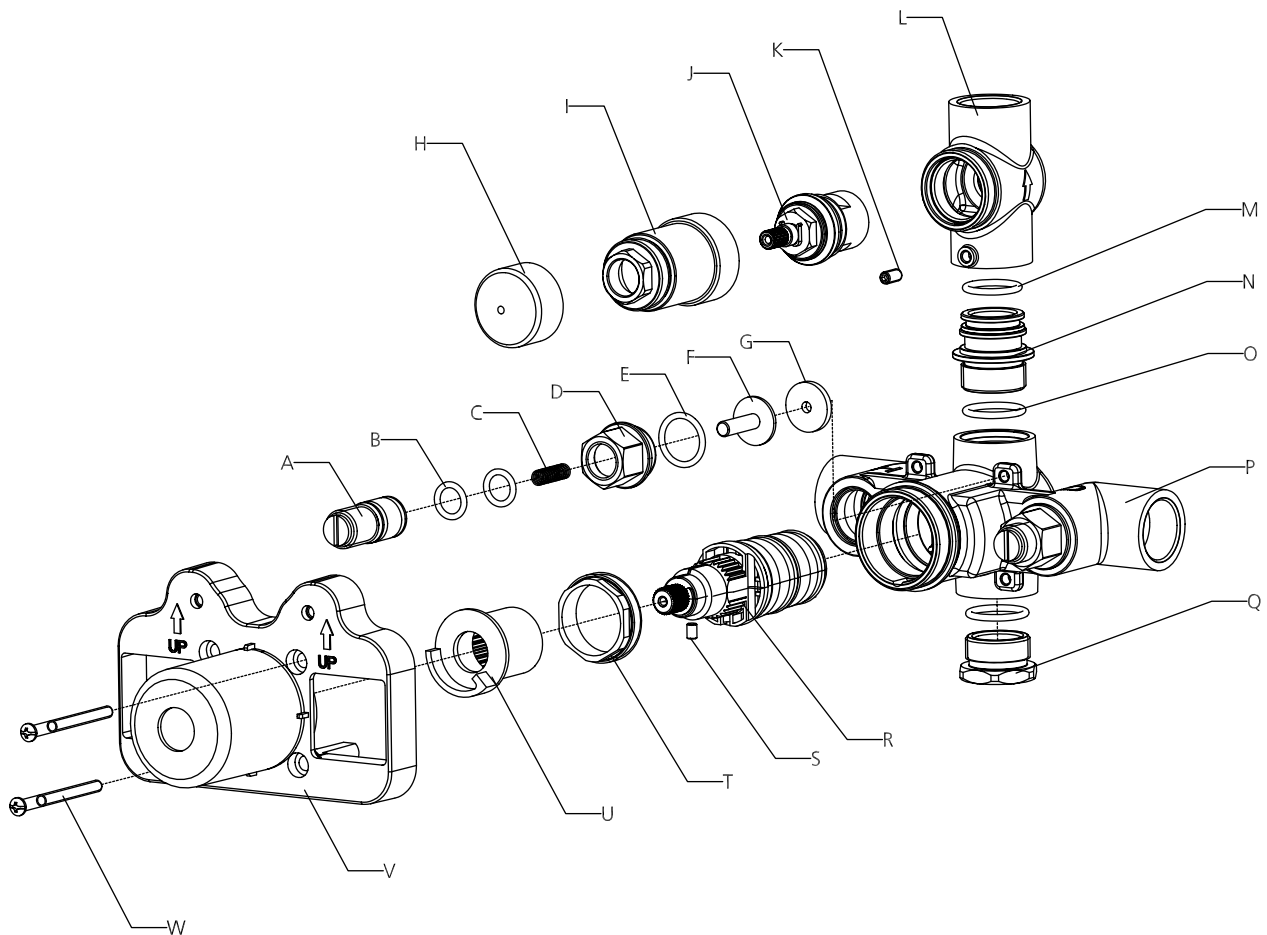
NUMBER A661032



DIMENSIONS IN INCHES & MILLIMETRES

# M1-4201

TWO HANDLE THERMOSTATIC ROUGH (WITH FLOW CONTROL)



- A Spiral bar (017119)
- B O-Ring (048038)
- C Spring (005060)
- D Nut (009111)
- E O-Ring (063060)
- F Cartridge (024092)
- G Seal (010113)
- H Protective cap (045432)
- I Adaptor (067946)
- J Cartridge assembly (507455)
- K Screw (053009)
- L Body (076707)
- M O-Ring (004096N)
- N Adaptor (067945)
- O O-Ring (048017)
- P Body (076706)
- Q Adaptor (028604)
- R Cartridge assembly (507132)
- S Fixed bar (003146)
- T Adjusting ring (104061)
- U Stopper (049108)
- V Plaster guard (127215)
- W Screw (008241)